

Umbilicals, helmets, masks, gas rack connections, they all rely on quick couplings.

Hytech makes extensive use of Walther Präzision quick connections.

They have shown to be extremely reliable in various applications.

Most used for i.e. umbilicals and helmets/masks are couplings with a nominal bore of 6 mm. Selfsealing on both sides.

On order they are available in bores up to 50 mm.

Maximum operating pressure for gases:

* 30 bars (435 psi)

Maximum operating pressure for liquids:

* 40 bars (580 psi)

Double sealing flow rate coefficient:

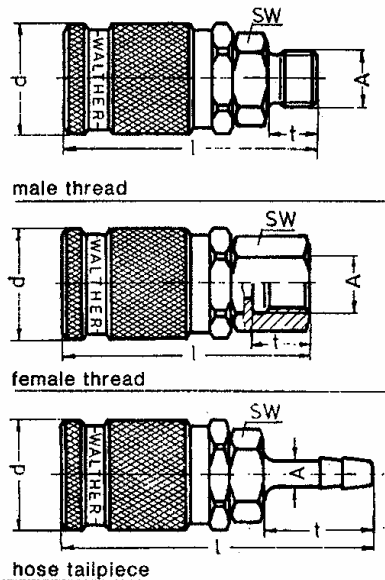
Cv value: 0.73.

Standard material:

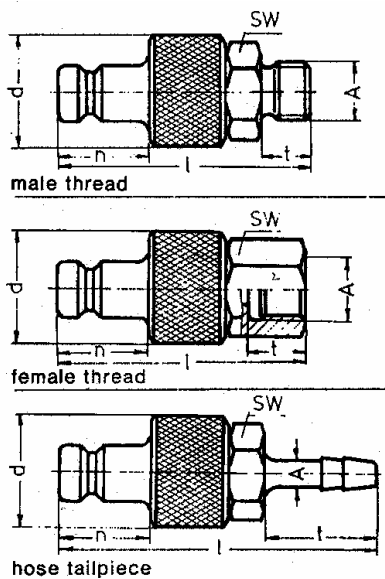
chrome plated brass. Other materials on order.

For diving applications the WP quick connectors are outfitted with stainless steel, springs and balls.

Self-Sealing Couplings/Female



Self-Sealing Adaptors/Male



part number	Connect. A.	d	SW	l	t	n
BSP-thread DIN 259, hose connections						
LP-006-0-WR013	R 1/4"	25	19	58	11	
LP-006-0-WR017	R 3/8"	25	19	59	12	
LP-006-0-WR021	R 1/2"	25	22	62	15	
LP-006-0-WR513	R 1/4"	25	19	57	13	
LP-006-0-WR517	R 3/8"	25	22	58	14	
LP-006-0-SL006	6 mm	25	19	72	25	
LP-006-0-SL009	9 mm	25	19	77	30	
LP-006-0-SL011	11 mm	25	19	77	30	
LP-006-0-SL013	13 mm	25	19	77	30	
LP-006-2-WR013	R 1/4"	25	19	56	11	20
LP-006-2-WR017	R 3/8"	25	19	57	12	20
LP-006-2-WR021	R 1/2"	25	22	60	15	20
LP-006-2-WR513	R 1/4"	25	19	55	13	20
LP-006-2-WR517	R 3/8"	25	22	56	14	20
LP-006-2-SL006	6 mm	25	19	70	25	20
LP-006-2-SL009	9 mm	25	19	75	30	20
LP-006-2-SL011	11 mm	25	19	75	30	20
LP-006-2-SL013	13 mm	25	19	75	30	20

