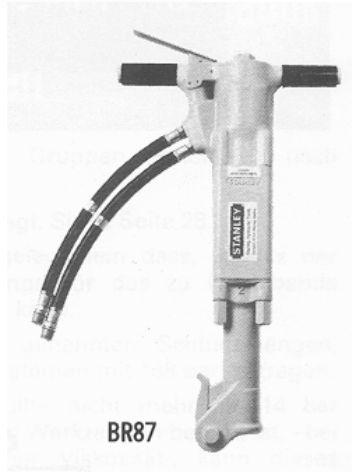


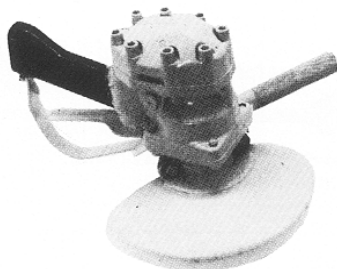
BR45



BR87



CS06



GR29

Hytech carries the complete line of Stanley underwater tools. These tools can do almost any job. They are completely sealed to give a long and reliable lifetime service. Hydraulic power is better than the conventional air-tools, thus the job is done faster, with less trouble at greater depths.

The Stanley line includes:

BREAKERS

CHAIN SAWS

CUT- OFF SAWS

DRILLS

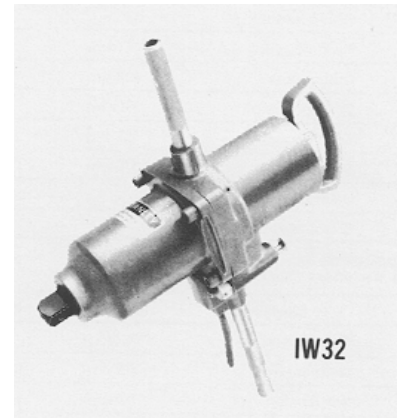
GRINDERS

HAMMER DRILLS

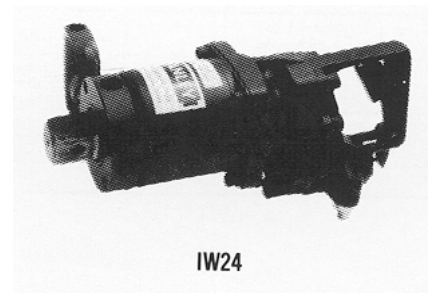
IMPACT WRENCHES

SCALERS

CHIPPING HAMMERS



IW32



IW24

We also carry an extensive stock of parts and accessories. Contact us for detailed product information.



Hyperbaric Technology B.V.

Blik 16 - 4941 SG - Raamsdonksveer - The Netherlands

☎ +31 (0)162 522202 ☎ +31 (0)162 519069

✉ hytech@hytech.nl 🌐 <http://www.hytech.nl>